

www.luxorfurn.com
www.hwilson.com

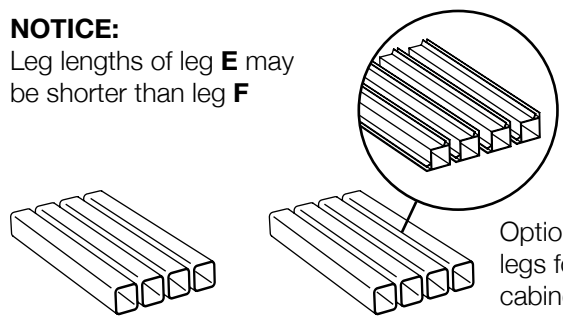
Parts List

Tools Required

- Rubber Mallet

NOTICE:

Leg lengths of leg **E** may be shorter than leg **F**

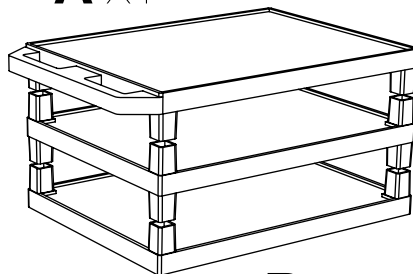


E x4

F x4

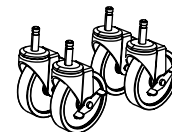
Optional fluted legs for units with cabinet pack

A x1



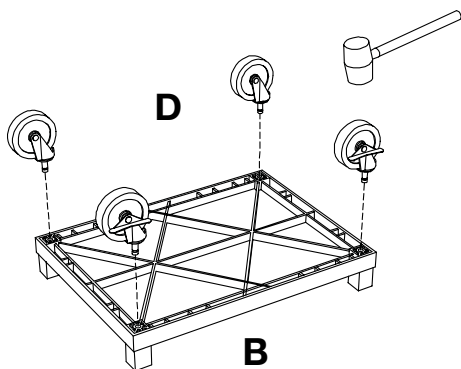
B x1

C x1



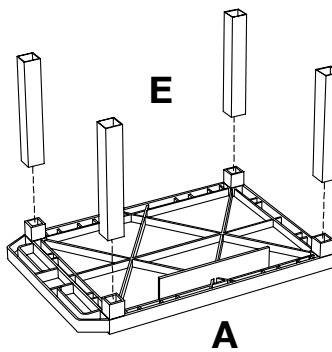
D x4

1

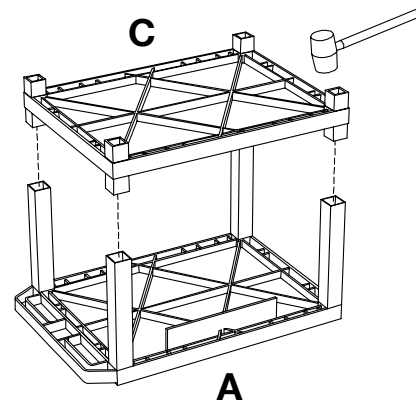


2

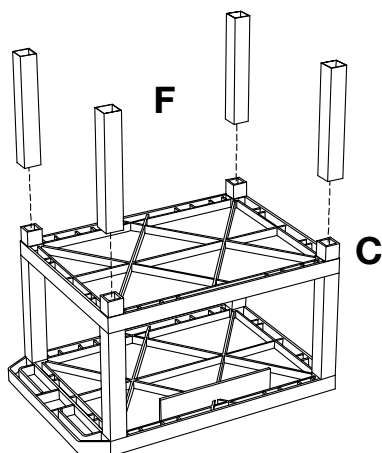
Install optional cabinet pack / pullout shelf / locking drawer assembly after step 1



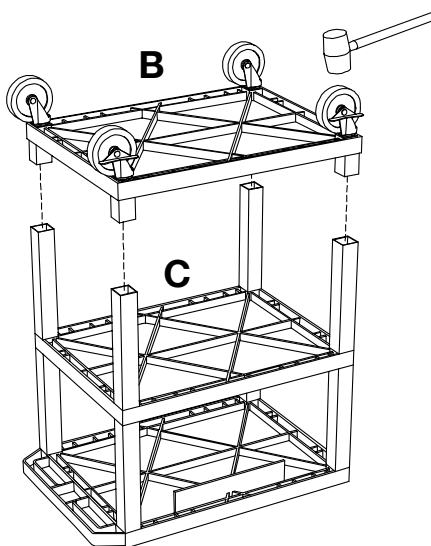
3



4



5

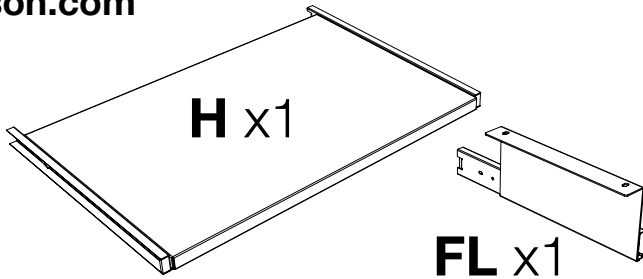


6



www.luxorfurn.com
www.hwilson.com

Parts List



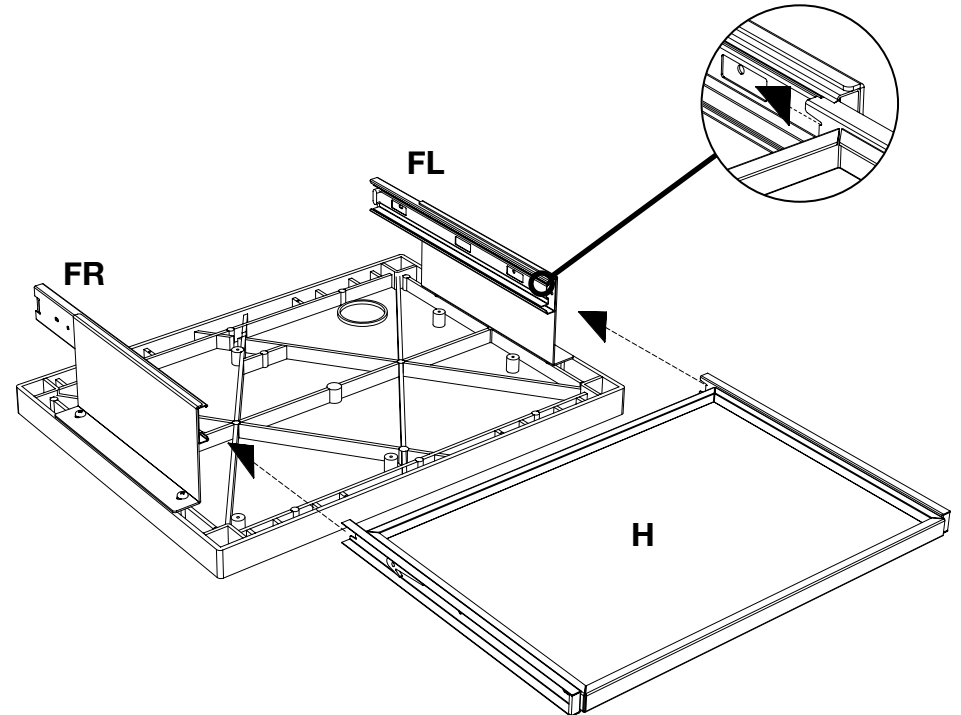
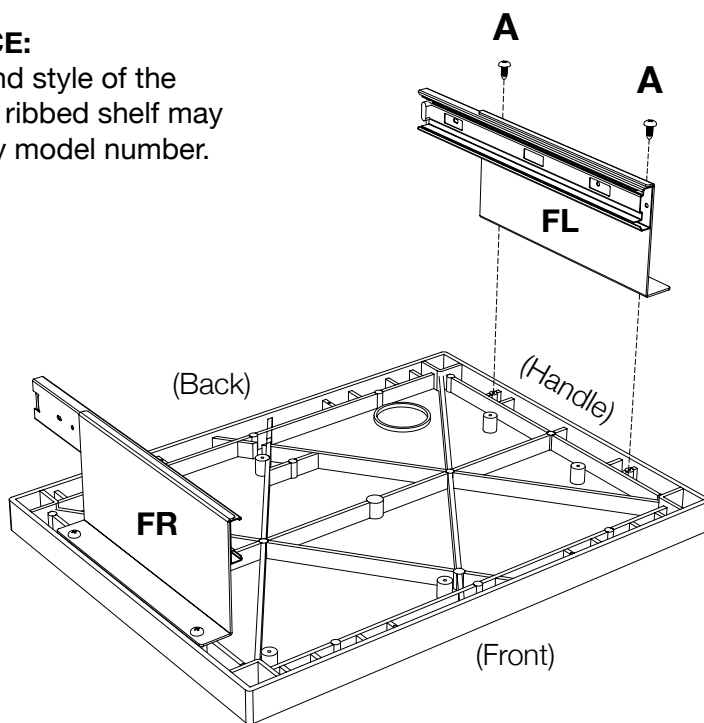
Tools Required

- Phillips Screwdriver



NOTICE:

Size and style of the plastic ribbed shelf may vary by model number.



Take the top shelf of your plastic cart and lay it flat. Collect parts: **FL, FR & A**. Align **FR & FL** to the outer holes at the top of the shelf. Take screw **A** and fasten with a screwdriver, do not tighten fully until keyboard is attached.

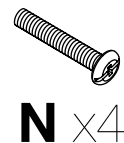
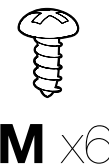
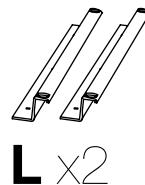
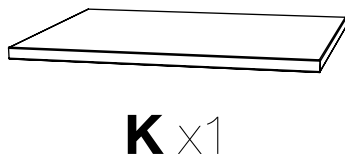
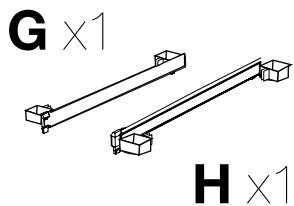
Collect parts: **H**. Align the pullout shelf **H** runner so that the runner snaps into place into the **FL & FR** brackets. Pull the shelf out to make sure it is fully seated. Tighten screws **A**. Pullout keyboard shelf assembly is now complete.

www.luxorfurn.com
www.hwilson.com

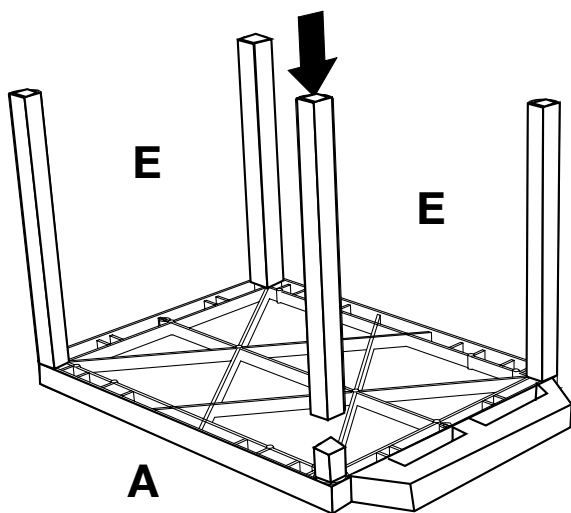
Parts List

Tools Required

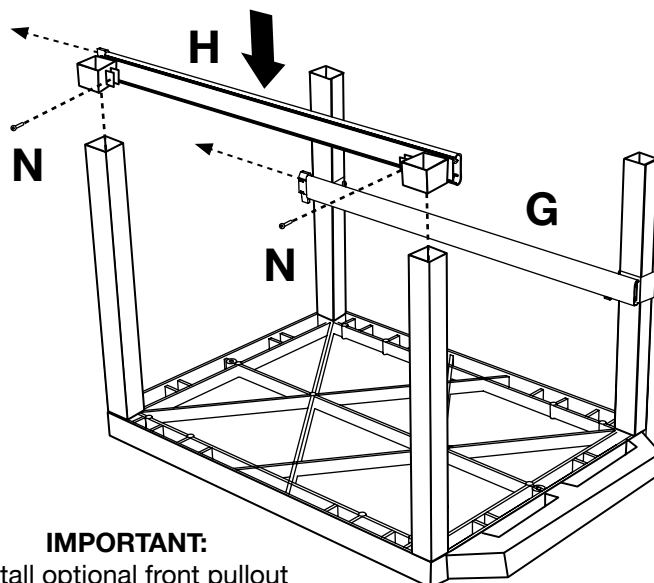
- Phillips Screwdriver



1 Lay the top shelf of your Tuffy cart upside down and install the four legs intended for this shelf.

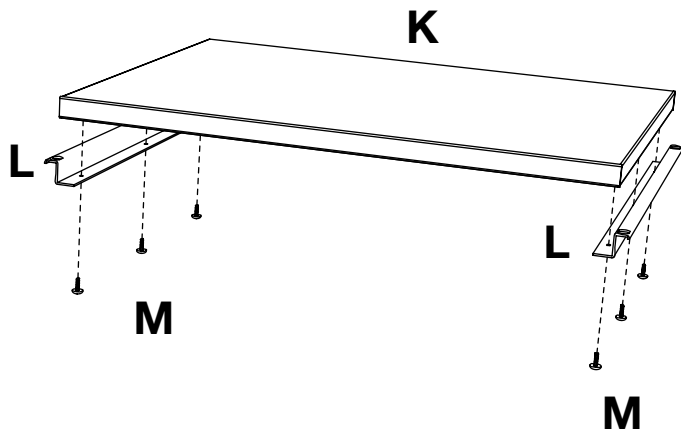


2 Slide and align runner **H** & **G** onto the legs and tighten screw **N** with a screwdriver.

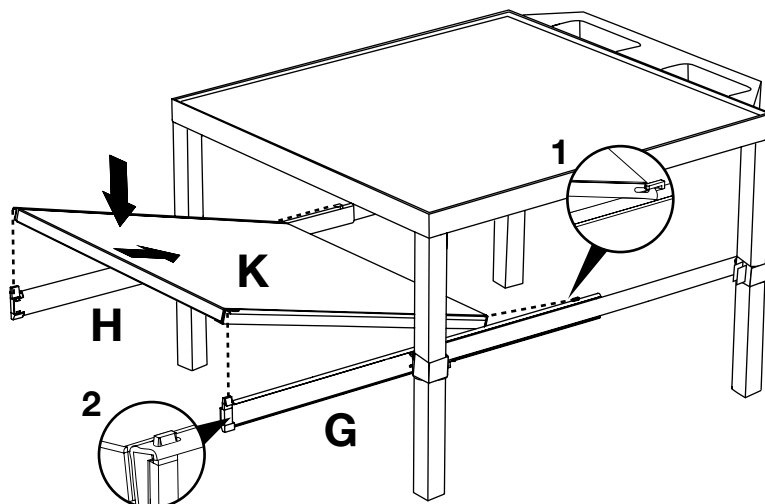


IMPORTANT:
Install optional front pullout shelf **BEFORE** step 2

3 Take pullout shelf **K** and bracket **L** and screw together into the unfinished surface of shelf **K** with screw **M**.

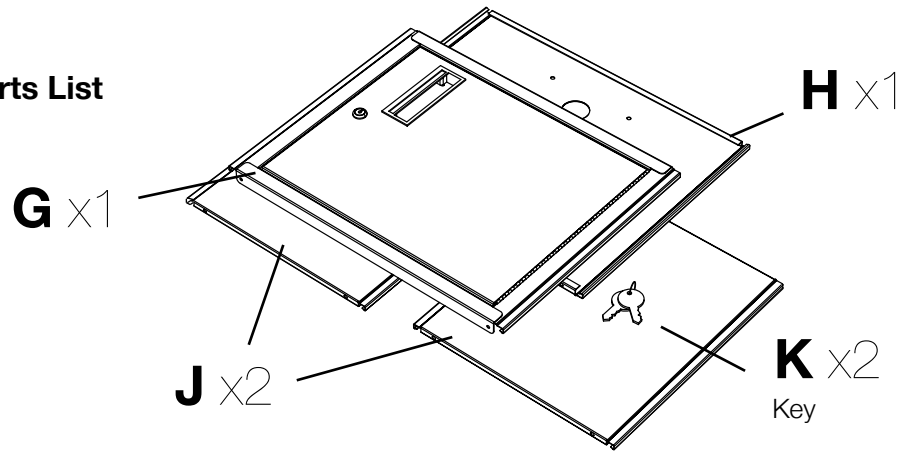


4 Mount pullout shelf **K** to runner **H** & **G** so that the edge of the shelf snaps into the runner hooks.



You have now completed your pullout shelf.

Parts List



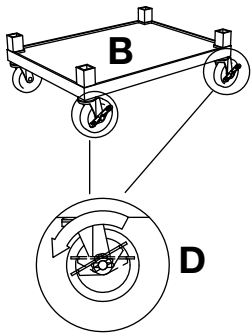
Tools Required

- Rubber Mallet

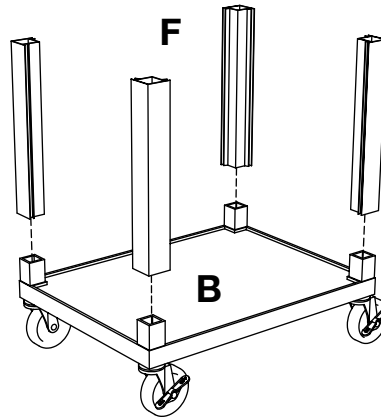
Tuffy Cart Cabinet Pack Instructions

Please consult your Tuffy cart base unit instructions before starting

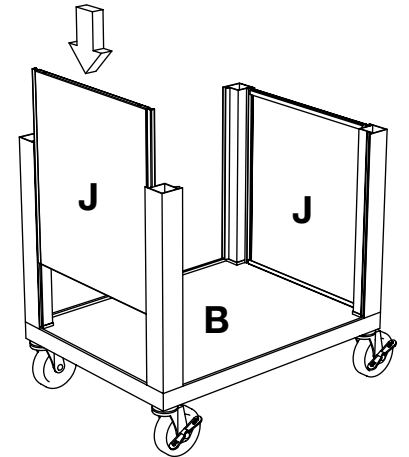
- 1** **IMPORTANT:** Flip shelf **B**, and lock the 2 locking casters **D** before assembling the unit.



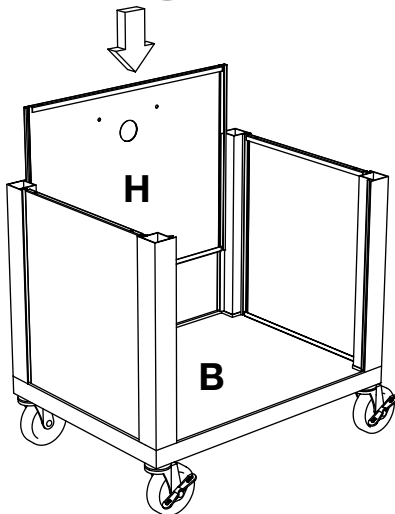
2



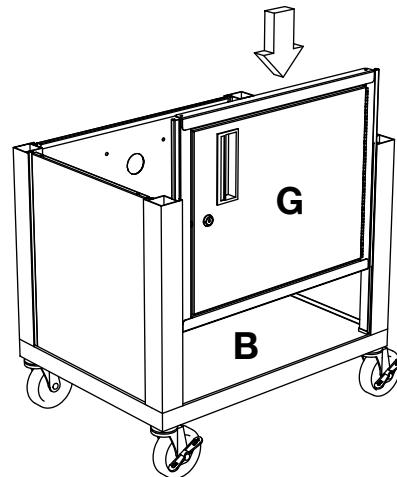
3



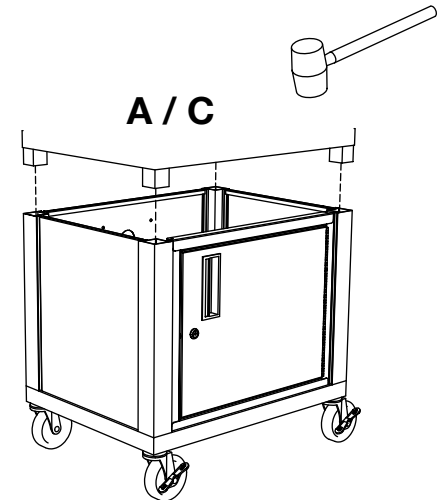
4



5



6

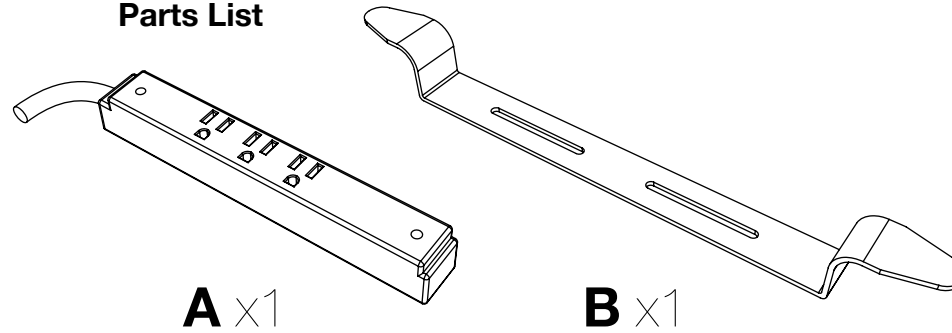


www.luxorfurn.com
www.hwilson.com

Electric Assembly Instructions

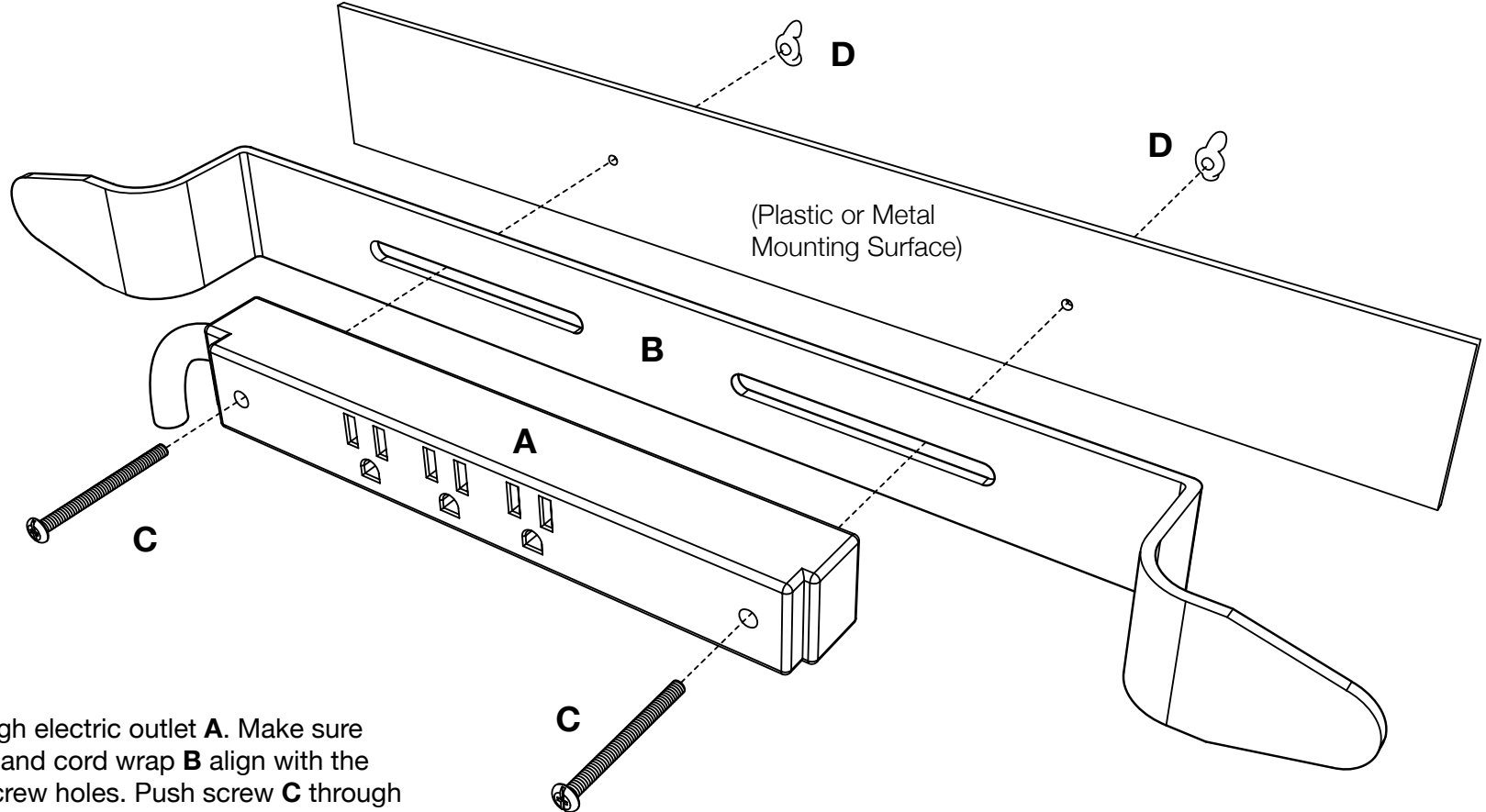
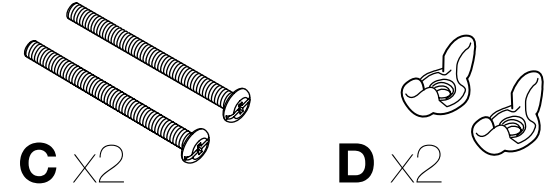
Number of outlets
may vary.

Parts List



Tools Required

- Screwdriver



1

Push screw **C** through electric outlet **A**. Make sure the electric outlet **A** and cord wrap **B** align with the mounting surface screw holes. Push screw **C** through cord wrap **B** and the mounting surface screw holes. Use wing nut **D** and screwdriver to fasten.